

Ordering code

2W - 025 - 08 - AC110V

2W:2/2way direct action

orifice size(mm)

port size

standard voltage

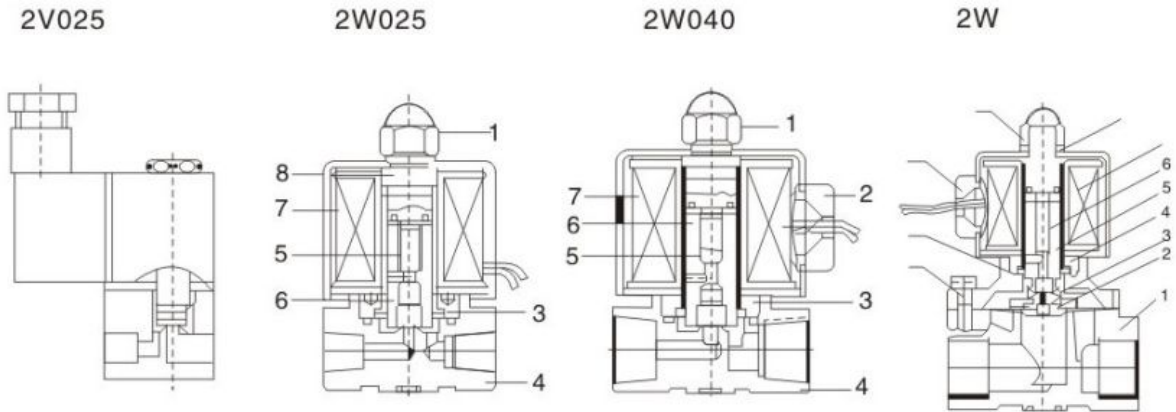
025: 2.5mm	06: 1/8"	DC12V
040: 4.0mm	08: 1/4"	DC24V
160: 16mm	10: 3/8"	AC24V 50/60Hz
200: 20mm	15: 1/2"	AC110V 50/60Hz
250: 25mm	20: 3/4"	AC220V 50/60Hz
350: 35mm	25: 1"	AC380V 50/60Hz
400: 40mm	35: 1 1/4"	
500: 50mm	40: 1 1/2"	
	50: 2"	



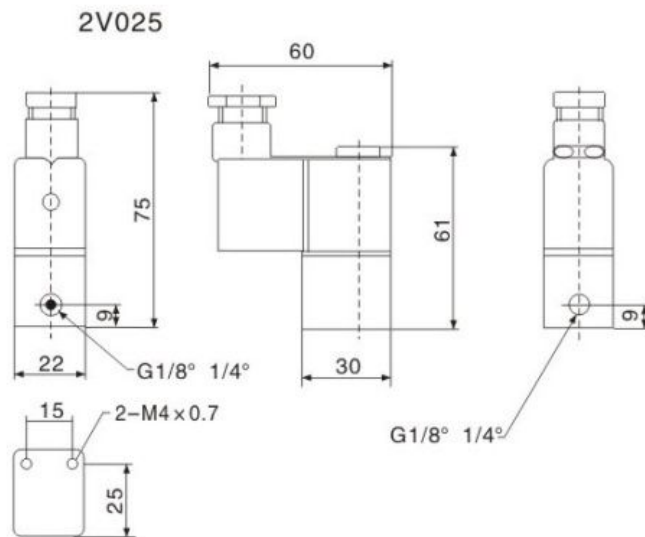
Specification

Item	2W025-06	2W025-08	2W040-10	2W160-10	2W160-15	2W200-20	2W250-25	2W350-35	2W400-40	2W500-50
Model	2W040-10									
Media	air,oil,water,gas									
Acting type	Direct action									
Type	Normally open									
Sectional area										
Orifice size	2.5	4	16	20	25	35	40	50		
CV value	0.23mm	0.60mm	4.8mm	7.6mm	12mm	24mm	29mm	48mm		
Port size	1/8"	1/4"	3/8"	3/8"	1/2"	3/4"	1"	1 1/4"	1 1/2"	2"
Discosity	below 20CST									
Pressure bar	air,water,oil,gas : 0-7.0			water: 0-5		air : 0-7		oil: 0-5		
Proof pressure bar	10									
Temperature	-10- 85℃									
Scope of voltag	± 10%									
Connect										
Body material	Brass									
Oil seal	NBR、 VITON									

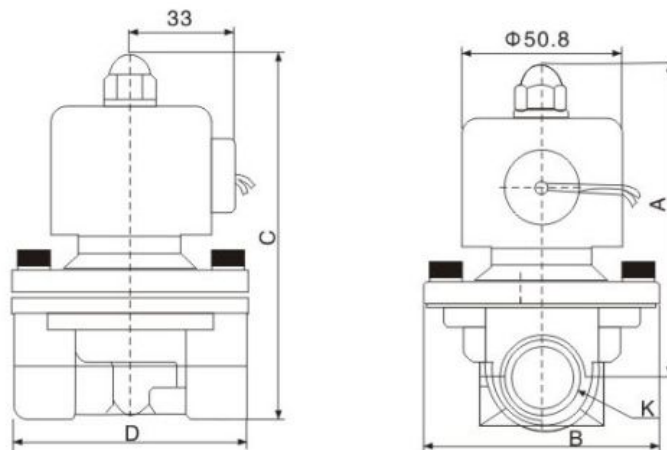
Inner structure



Outside structure



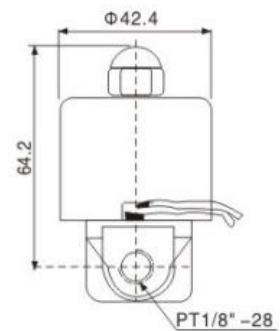
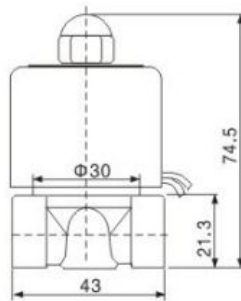
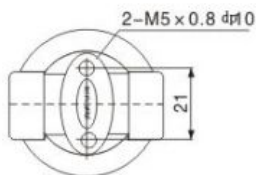
Specification



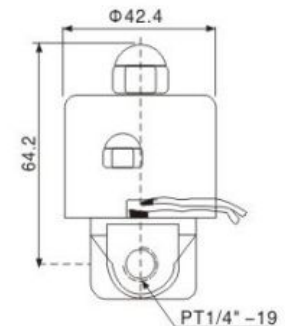
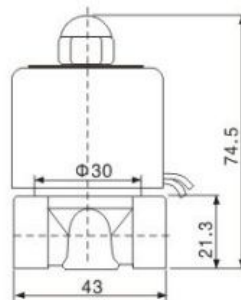
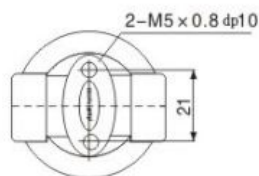
Type	A	B	C	D	K
2W160-10	93	57	106.5	69	PT3/8"
2W160-15	93	57	106.5	69	PT1/2"
2W200-20	100	57	116.4	73	PT3/4"
2W250-25	105	73.4	126	99	PT1"
2W350-35	142	95	172	123	PT1 1/4"
2W400-40	142	95	172	123	PT1 1/2"
2W500-50	172	123	209	168	PT2"

Specification

2W025-06



2W025-08



2W025-10

