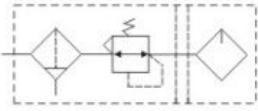


Symbol



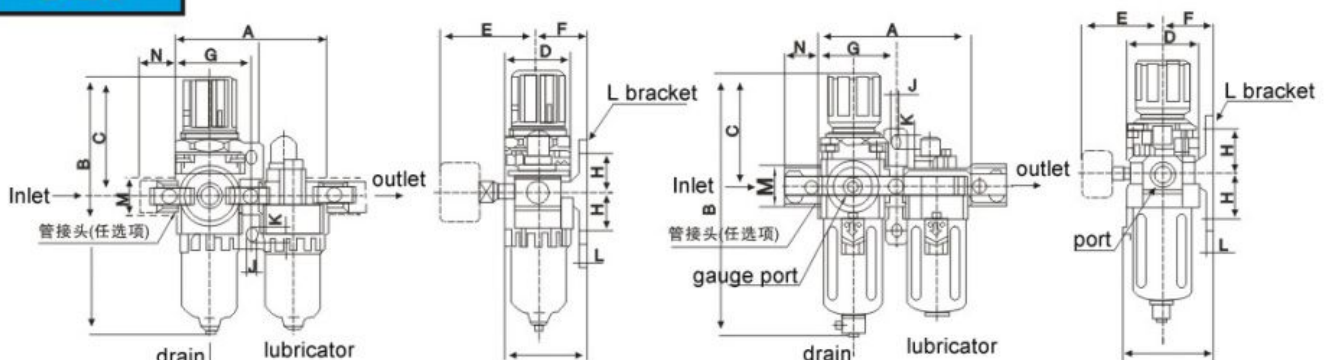
AC2010~5010series

Proof pressure	1.5MPa(15.3Kgf/cm ²)
Max.working pressure	1.0Mpa(10.2Kgf/cm ²)
Ambient temperature	5~60℃
Filter port size	5 μ M
Lubricating oil	ISO VG32 or same grade oil
Protective cup material	PE
Protective cup	AC1010~2010(don't have) AC3010~5010(have)
Adjustable pressure range	AC1010: 0.05~0.7MPa(0.51~7.1Kgf/cm ²) AC2010~5010: 0.05~0.85MPa (0.51~8.7Kgf/cm ²)

Technical parameters

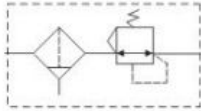
Model		Specification					
		Components		rated flow (L/min)	joint pipe size Rc(PT)	gauge port size Rc(PT)	Weight (Kg)
manually drain	auto-drain	filter/regulator	lubricator				
AC2010-02	AC2010-02D	AW2000-02	AL2000-02	500	1/4	1/8	0.66
AC3010-02	AC3010-02D	AW3000-02	AL3000-02	1700	1/4	1/8	0.98
AC3010-03	AC3010-03D	AW3000-03	AL3000-03	1700	3/8	1/8	1.93
AC4010-04	AC4010-04D	AW4000-04	AL4000-04	3000	1/2	1/4	1.93
AC4010-06	AC4010-06D	AW4000-06	AL4000-06	3000	3/4	1/4	1.99
AC5010-06	AC5010-06D	AW5000-06	AL5000-06	5000	3/4	1/4	2.70
AC5010-10	AC5010-10D	AW5000-10	AL5000-10	5000	G1	1/4	2.70

Size



Model	Pipe size	A	B	C	D	E	F	G	H	J	K	L	M	N
AC2010-02	1/4	195	338	116	90	75.5	70	97	50	12	16	10	52.2	40
AC3010-02-03	1/4 · 3/8	90	164.5	78	40	56.8	30	45	24	5.5	8.5	5	22	23
AC4010-04	1/2	117	211	92.5	53	60.8	41	58.5	35	7	11	7	34.2	26
AC4010-06	3/4	154	262.5	112	70	70.5	50	77	40	9	13	7	42.2	26
AC5010-06-10	3/4 · 1	164	267	114	70	70.5	50	82	40	9	13	7	46.2	36

Symbol



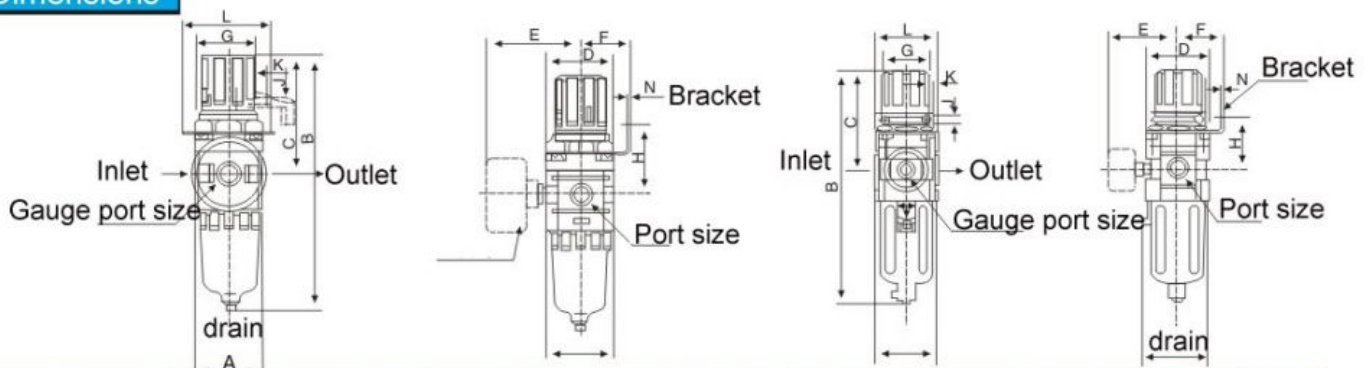
AW2000~5000 Series

Proof pressure	1.5MPa(15.3kgf/cm ²)
Max pressure	1.0MPa(10.2kgf/cm ²)
Temperature	5~60℃
Filter port size	5 μ M
Suggest lubricator	ISOVG32
Cup material	PE
Protective cup	AW2000~2000(No)AW3000~5000(Have)
Adjustable pressure range	AW2000: 0.05~0.7MPa(0.51~7.1kgf/cm ²) AW2000~5000: 0.05~0.85MPa (0.51~8.7kgf/cm ²)

Technical parameter

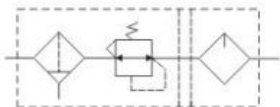
Type		Specifications			
		Rated flow (L/min)	Port size Rc(PT)	Gauge port size Rc(PT)	Weight (kg)
Manually drain	Auto drain				
AW2000-02	AW2000-02D	550	1/4	1/8	0.36
AW3000-02	AW3000-02D	2000	1/4	1/8	0.56
AW3000-03	AW3000-03D	2000	3/8	1/8	0.56
AW4000-04	AW4000-04D	4000	1/2	1/4	1.15
AW4000-06	AW4000-06D	4500	3/4	1/4	1.21
AW5000-06	AW5000-06D	5500	3/4	1/4	2
AW5000-10	AW5000-10D	5500	G1	1/4	2

Dimensions



Type	Port size	A	B	C	D	F	G	H	J	K	L	M	N	P	E
AW2000-02	1/4	43	164.5	78	40	30	34	45	5.5	10.54	55	2.3	33.5	40	56.8
AW3000-02-03	1/4 · 3/8	53	211	92.5	53	41	41	46	6.5	8.0	43	2.3	42.5	56	60.8
AW4000-04	1/2	70	262.5	112	70	50	50	54	8.5	10.5	70	2.3	52.5	73	70.5
AW4000-06	3/4	75	267	114	70	50	50	56	8.5	10.5	70	2.3	52.5	73	70.5
AW5000-06-10	G1	90	336	116	90	70	54	62	8.5	11	90	2.3	52.5	90	70.5

Symbol



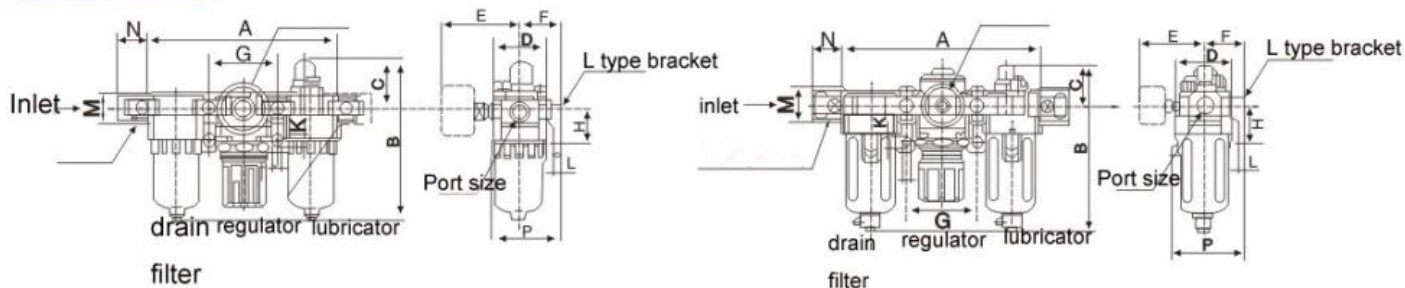
AC2000~5000 Series

Proof pressure	1.5MPa(15.3Kgf/cm ²)
Max pressure	1.0Mpa(10.2Kgf/cm ²)
Temperature	5~60℃
Orifice size	5 μ M
Suggest lubrication	ISOVG32
Material of cup	PE
Protective cup	AC1000~2000(No) AC2500~5000(Have)
Adjustable range	AC2000~5000: 0.05~0.85MPa (0.51~8.7kgf/cm ²)

Technical parameter

Type		Specification						
		Components			Rated flow	Port size	Gauge port size	
Manually drain	Auto drain	Filter	Regulator	Lubricator	(L/min)	Rc(PT)	Rc(PT)	(Kg)
AC2000-02	AC2000-02D	AF2000-02	AR2000-02	AL2000-02	900	1/4	1/8	0.74
AC3000-02	AC3000-02D	AF3000-02	AR3000-02	AL3000-02	2000	1/4	1/8	1.04
AC3000-03	AC3000-03D	AF3000-03	AR3000-03	AL3000-03	2000	3/8	1/8	1.04
AC4000-04	AC4000-04D	AF4000-04	AR4000-04	AL4000-04	4000	1/2	1/4	1.18
AC4000-06	AC4000-06D	AF4000-06	AR4000-06	AL4000-06	4500	3/4	1/4	2.14
AC5000-06	AC5000-06D	AF5000-06	AR5000-06	AL5000-06	5000	3/4	1/4	2.47
AC5000-10	AC5000-10D	AF5000-10	AR5000-10	AL5000-10	5000	G1	1/4	3.82

Dimensions



Type	Port size	A	B	C	D	E	F	G	H	J	K	L	M	N	P
CAC2000-02	1/4	140	125	38	40	56.8	30	50	24	5.5	8.5	5	22	23	50
CAC3000-02-03	1/4 · 3/8	181	156.5	38	53	60.8	41	64	35	7	11	7	34.2	26	70.5
CAC4000-04	1/2	238	191.5	41	70	65.5	50	84	40	9	13	7	42.2	33	88
CAC4000-06	3/4	253	193	40.5	70	69.5	50	89	40	9	13	7	46.2	36	88
CAC5000-06-10	3/4 · 1	300	271.5	48	90	75.5	70	105	50	12	16	10	55.2	40	115