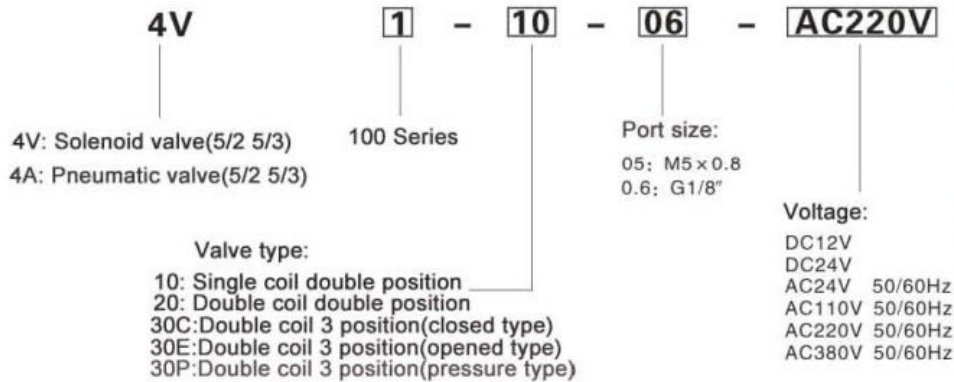


## Solenoid valve (100 Series)

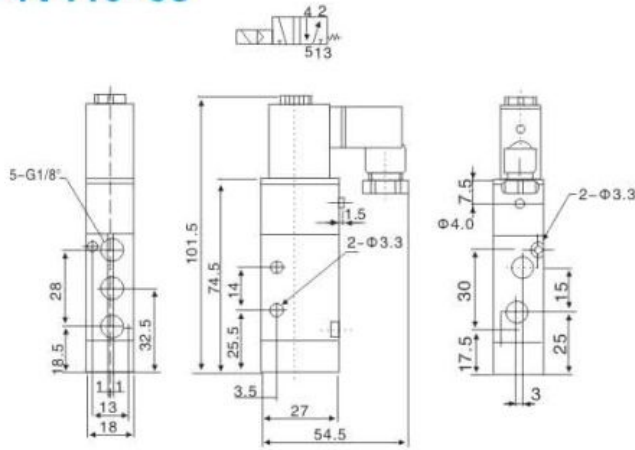
### Order code



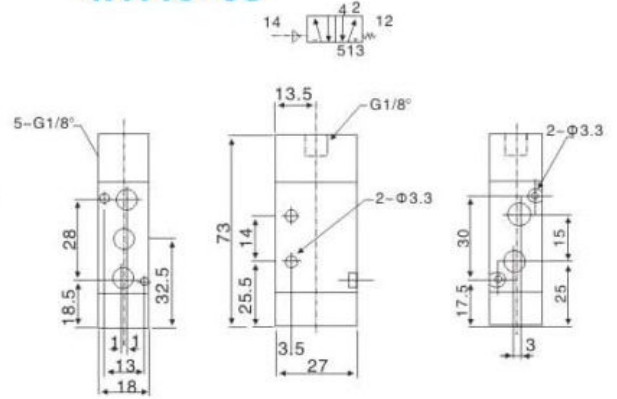
### Specification

Model	4V110-M5	4V120-M5	4V130C-M5	4V130E-M5	4V130P-M5	4V110-06	4V120-06	4V130C-06	4V130E-06	4V130P-06
	4A110-M5	4A120-M5	4A130C-M5	4A130E-M5	4A130P-M5	4A110-06	4A120-06	4A130C-06	4A130E-06	4A130P-06
Medium	Air (to be filtered by 40um filter element)									
Acting type	Piloted									
Valve type	5 port 2 position		5 port 3 position			5 port 2 position		5 port 3 position		
Effective size	10mm <sup>2</sup> ( CV=0.56 )		7mm <sup>2</sup> ( CV=0.40 )			12mm <sup>2</sup> ( CV=0.67 )		9mm <sup>2</sup> ( CV=0.50 )		
Port size	In = Out =Exhaust =M5					In=Out=Exhaust=G1/8"				
Lubrication	Not required									
Working pressure	1.7~7.0Kg/cm <sup>2</sup> ( 24~100psi )									
Proof pressure	10.5Kgf/cm <sup>2</sup> ( 150psi )									
Temperature	5~50℃ ( 41~122° F )									
Voltage	± 10%									
Rated voltage	AC: 1.3VA DC:1.5W									
Insulativity	F class									
Protect	IP65(DIN40050)									
Connect type	Terminal									
Max frequency	5 cycle/sec									
Activating time	0.05 sec									

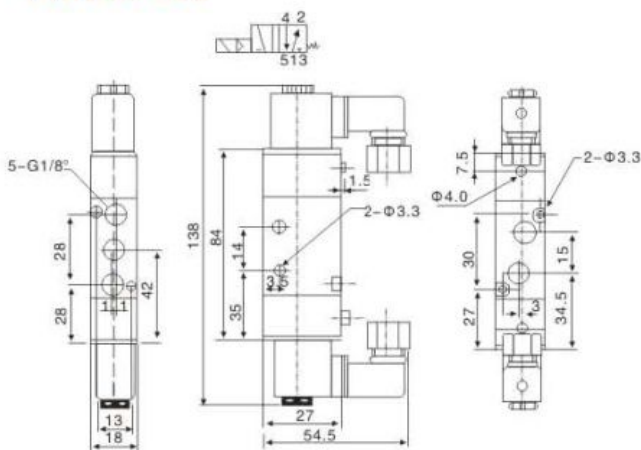
4V110-06



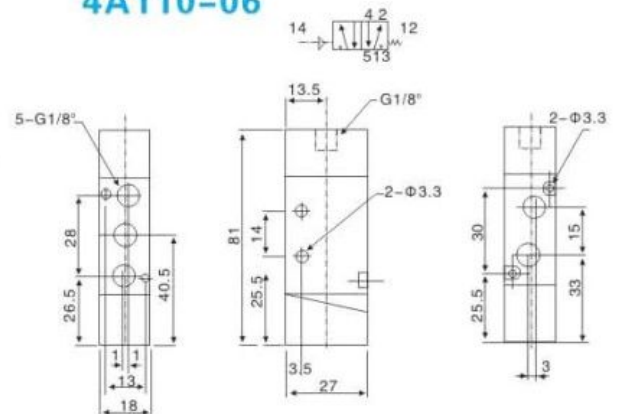
4A110-06



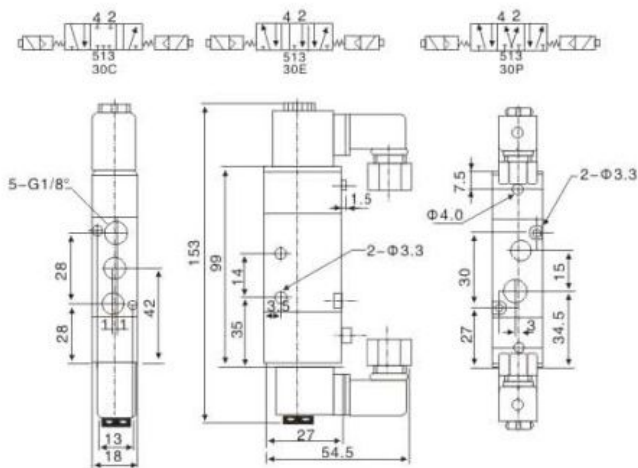
4V120-06



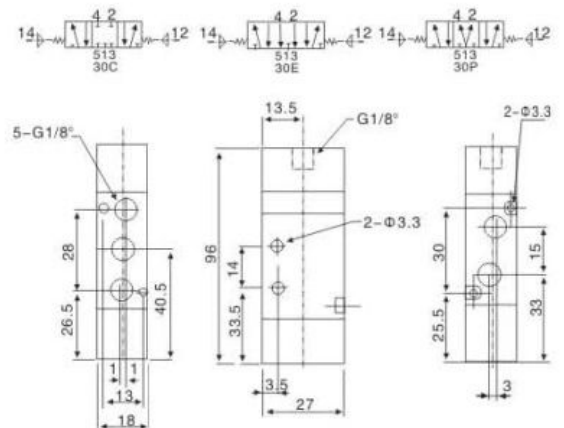
4A110-06



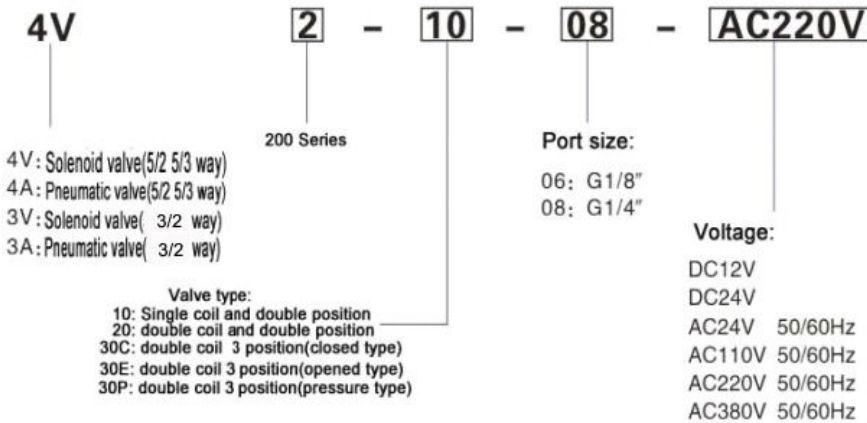
4V130-06



4A130-06



Order Code



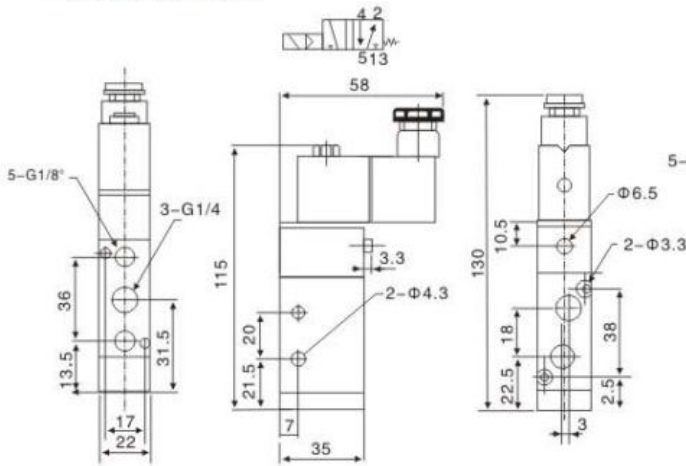
Specification

Model	4V210-06	4V220-06	4V230C-06	4V230E-06	4V230P-06	4V210-08	4V220-08	4V230C-08	4V230E-08	4V230P-08
	4A210-06	4A220-06	4A230C-06	4A230E-06	4A230P-06	4A210-08	4A220-08	4A230C-08	4A230E-08	4A230P-08
Medium	Air ( to be filtered by 40um filter element)									
Acting type	Piloted									
Valve type	5 port 2 position		5 port 3 position			5 port 2 position		5 port 3 position		
Effective size	14mm <sup>2</sup> ( CV=0.78 )		12mm <sup>2</sup> ( CV=0.67 )			16mm <sup>2</sup> ( CV=0.78 )		12mm <sup>2</sup> ( CV=0.67 )		
Port size	In = Out = Exhaust = G1/8"					In= Out = G1/4" Exhaust = G1/8"				
Lubrication	No need									
Working pressure	1.7~7.0Kg/cm <sup>2</sup> ( 24~100psi )									
Proof pressure	10.5Kgf/cm <sup>2</sup> ( 150psi )									
Temperature	5~50°C ( 41~122° F )									
Voltage	± 10%									
Rated voltage	AC: 4.5VA DC:3.0W									
Insulativity	F class									
Protect	IP65(DIN40050)									
Connect type	Terminal									
Max frequency	5 cycle/sec.									
Activating time	0.05 sec.									

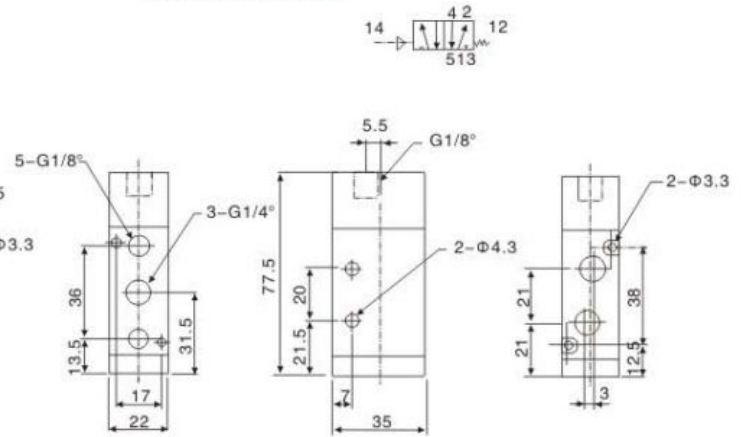


Dimensional Data

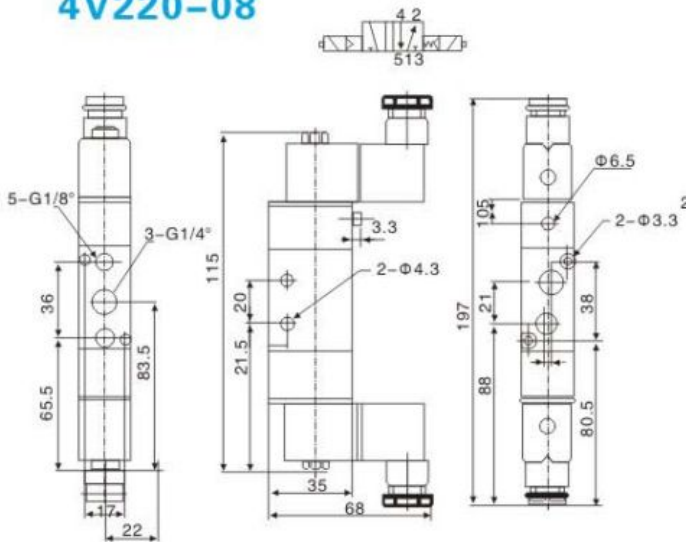
4V210-08



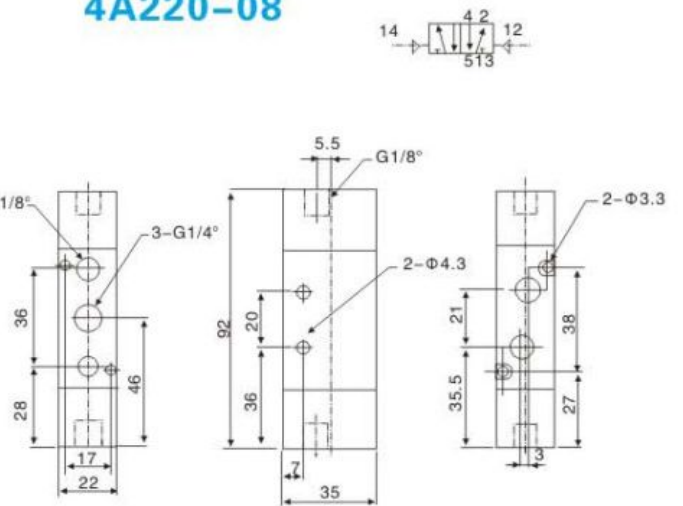
4A210-08



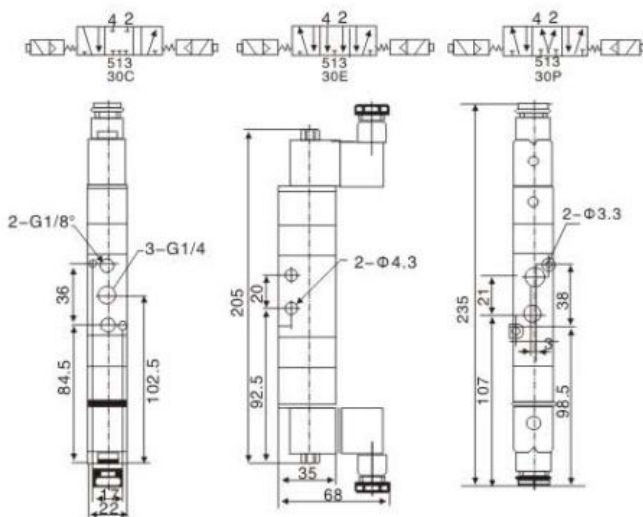
4V220-08



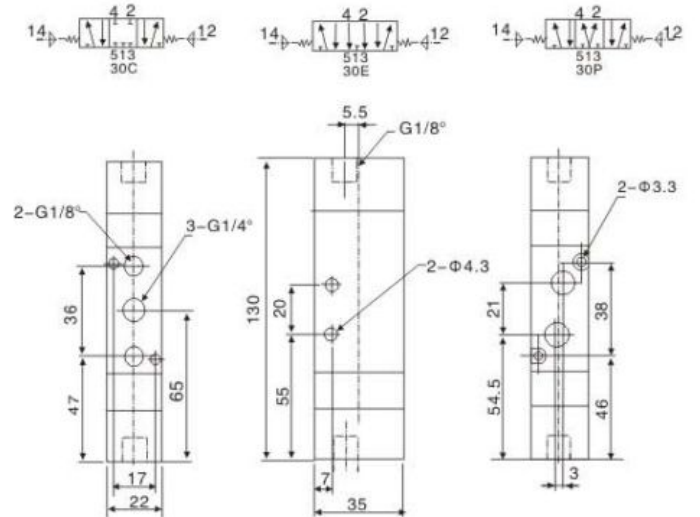
4A220-08



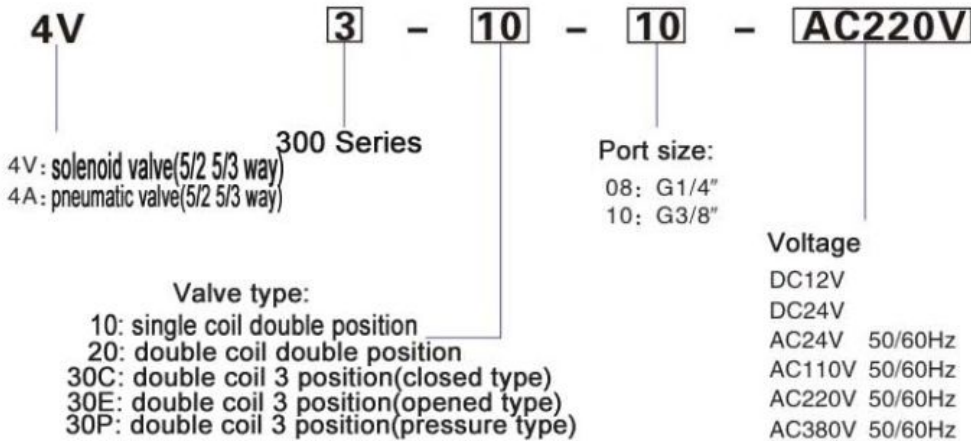
4V230-08



4A230-08



Order Code



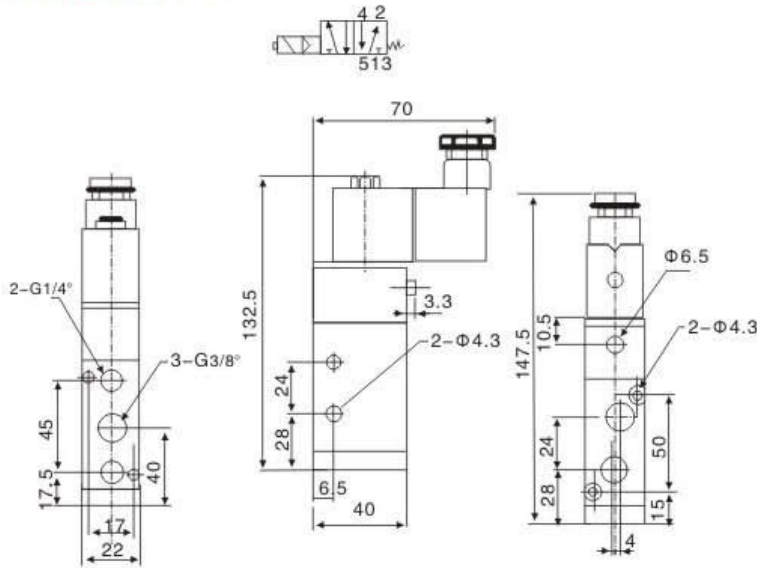
Specification

Model	4V310-08	4V320-08	4V330C-08	4V330E-08	4V330P-08	4V310-10	4V320-10	4V330C-10	4V330E-10	4V330P-10
	4A310-08	4A320-08	4A330C-08	4A330E-08	4A330P-08	4A310-10	4A320-10	4A330C-10	4A330E-10	4A330P-10
Medium	Air (to be filtered by 40um filter element)									
Acting type	Piloted									
Valve type	5 port 2 position		5 port 3 position			5 port 2 position		5 port 3 position		
Effective size	25mm <sup>2</sup> ( CV=1.40 )		18mm <sup>2</sup> ( CV=1.00 )			30mm <sup>2</sup> ( CV=1.68 )		18mm <sup>2</sup> ( CV=1.00 )		
Port size	In = Out = Exhaust =G1/4"					In = Out = G3/8" Exhaust = G1/4"				
Lubrication	No need									
Working pressure	1.7~7.0Kg/cm <sup>2</sup> ( 24~100psi )									
Proof pressure	10.5Kgf/cm <sup>2</sup> ( 150psi )									
Temperature	5~50°C ( 41~122° F )									
Voltage	± 10%									
Rated voltage	AC: 4.5VA DC:3.0W									
Insulativity	F class									
Protect	IP65(DIN40050)									
Connect type	Terminal									
Max frequency	4 cycle/sec.									
Activating time	0.05 sec.									

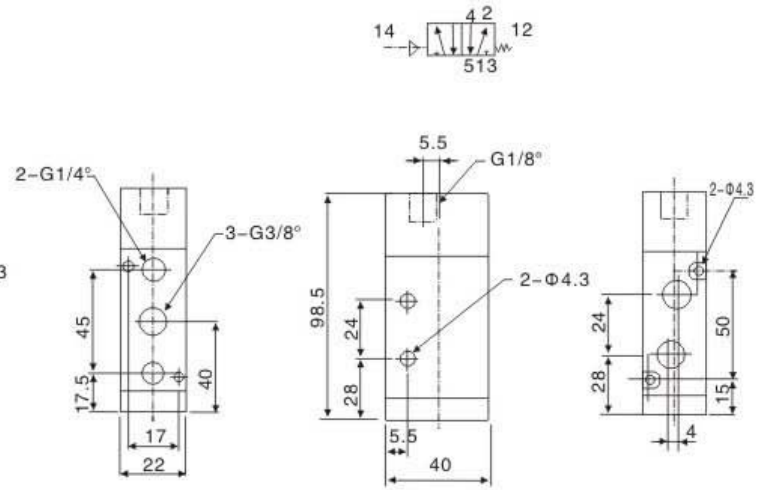
Dimensional Data

www.xyqd.com.cn  
xyqd.en.alibaba.com

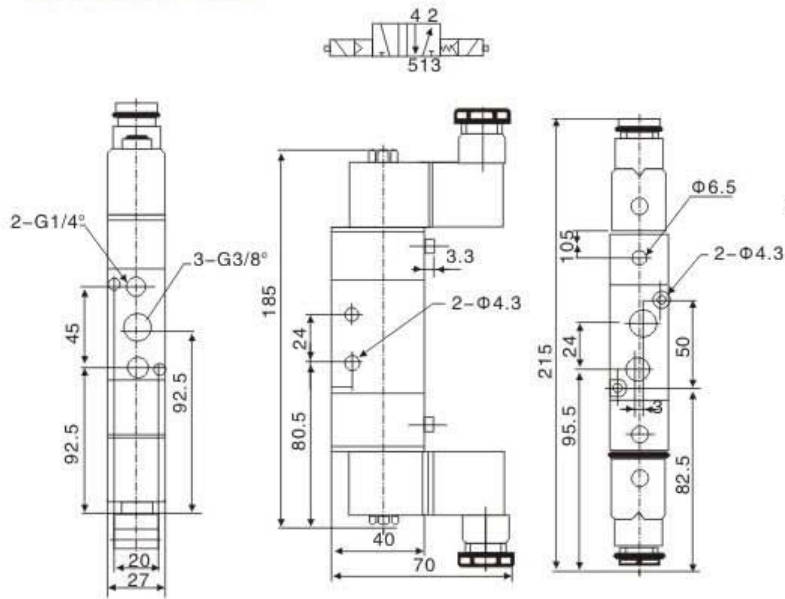
4V310-10



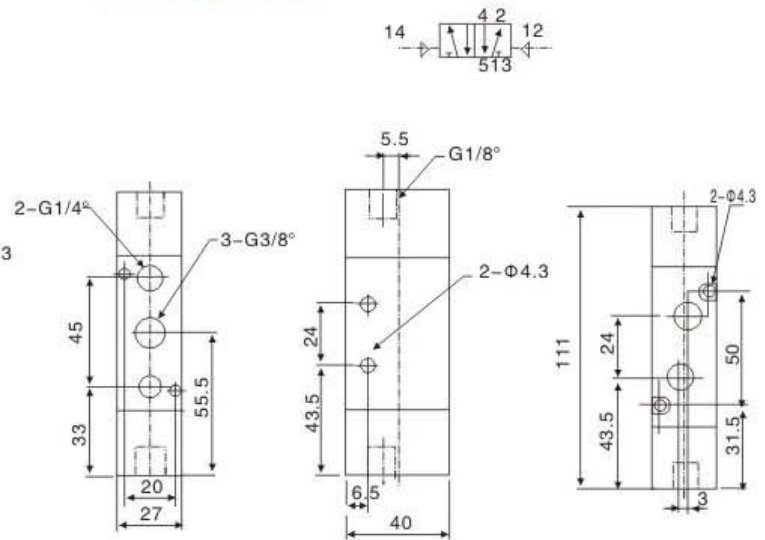
4A310-10



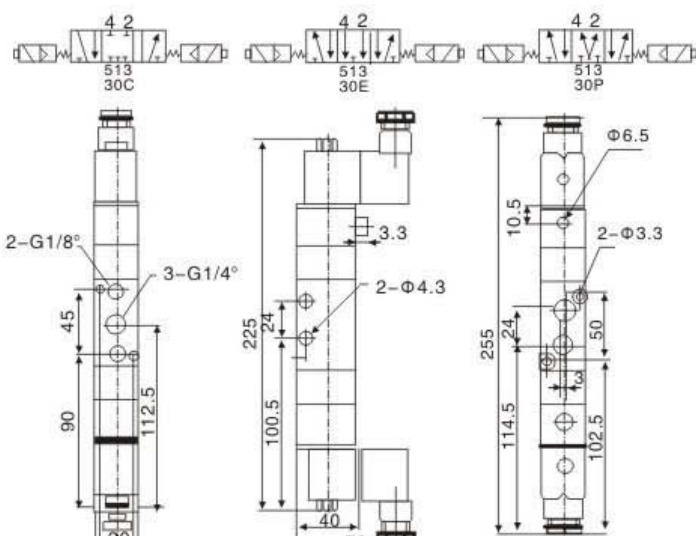
4V320-10



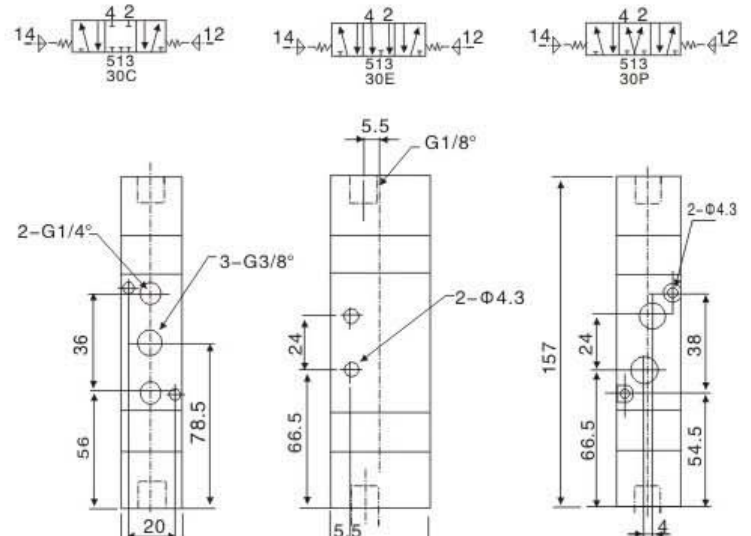
4A320-10



4V330-10



4A330-10





**Order Code**

**4V** - **4** - **10** - **15** - **AC220V**

4V:solenoid valve(5/2 5/3 way)  
4A:pneumatic valve(5/2 5/3 way)

400 Series

Port size:  
15: G1/2"

Voltage

- DC12V
- DC24V
- AC24V 50/60Hz
- AC110V 50/60Hz
- AC220V 50/60Hz
- AC380V 50/60Hz

Valve type:

- 10: single coil double position
- 20: double coil double position
- 30C: double coil 3 position(closed type)
- 30E: double coil 3 position(opened type)
- 30P: double coil 3 position(pressure type)

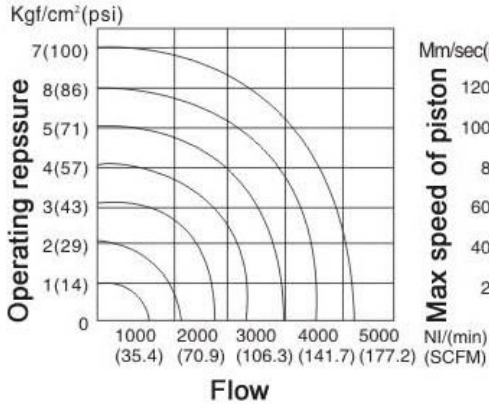


**Specification**

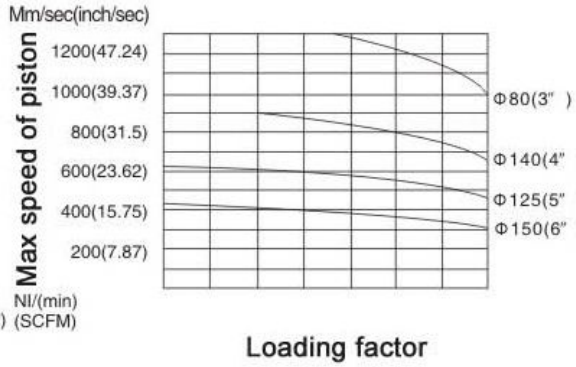
Model	4V410-15	4V420-15	4V430C-15	4V430E-15	4V430P-15
	4A410-15	4A420-15	4A430C-15	4A430E-15	4A430P-15
Medium	Air (to be filtered by 40um filter element)				
Acting type	Piloted				
Valve type	5 port 2 position		5 port 3 position		
Effective size	50mm <sup>2</sup> ( CV=2.79 )		30mm <sup>2</sup> ( CV=1.68 )		
Port size	In = Out = Exhaust =1/2				
Lubrication	No need				
Working pressure	1.7~7.0Kg/cm <sup>2</sup> ( 24~100psi )				
Proof pressure	10.5Kg/cm <sup>2</sup> ( 150psi )				
Temperature	5~50°C ( 41~122° F )				
Voltage	± 10%				
Rated voltage	AC: 4.5VA DC:3.0W				
Insulativity	F class				
Protect	IP65(DIN40050)				
Connect type	Terminal				
Max frequency	3 cycle/ sec.				
Activating time	0.05 sec.				

4V410-15  
4A410-15

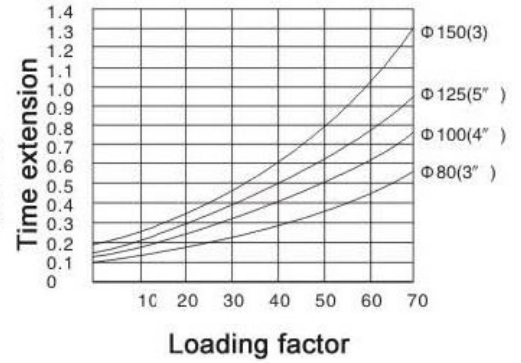
Flow diagram



Max speed of piston

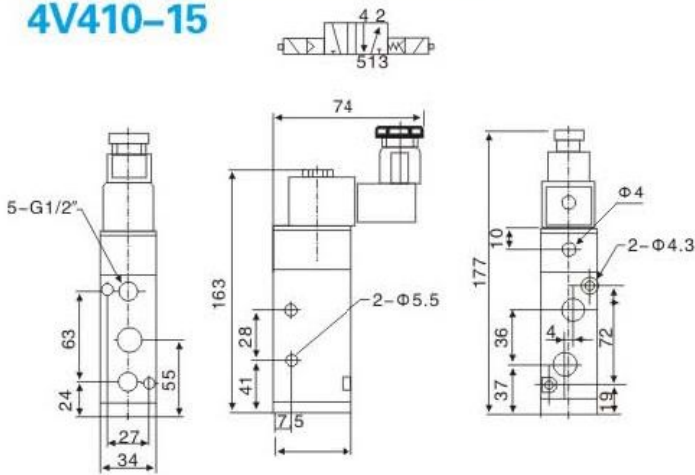


Time extension

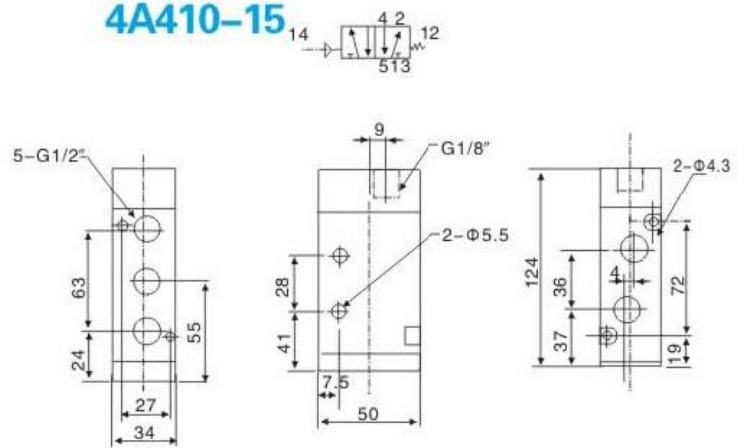


Dimensional Data

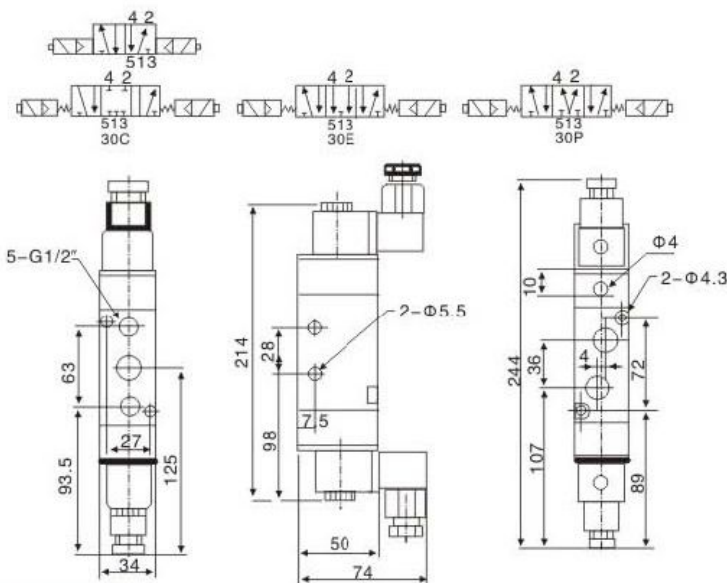
4V410-15



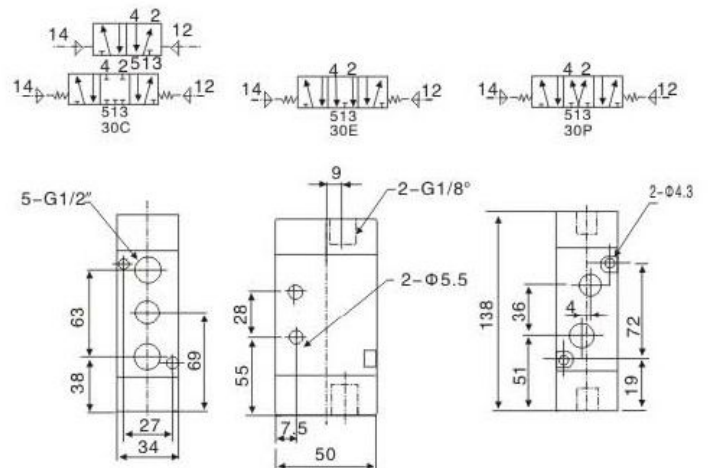
4A410-15



4V420-15  
4V430-15



4A420-15  
4A430-15





Order code

100M

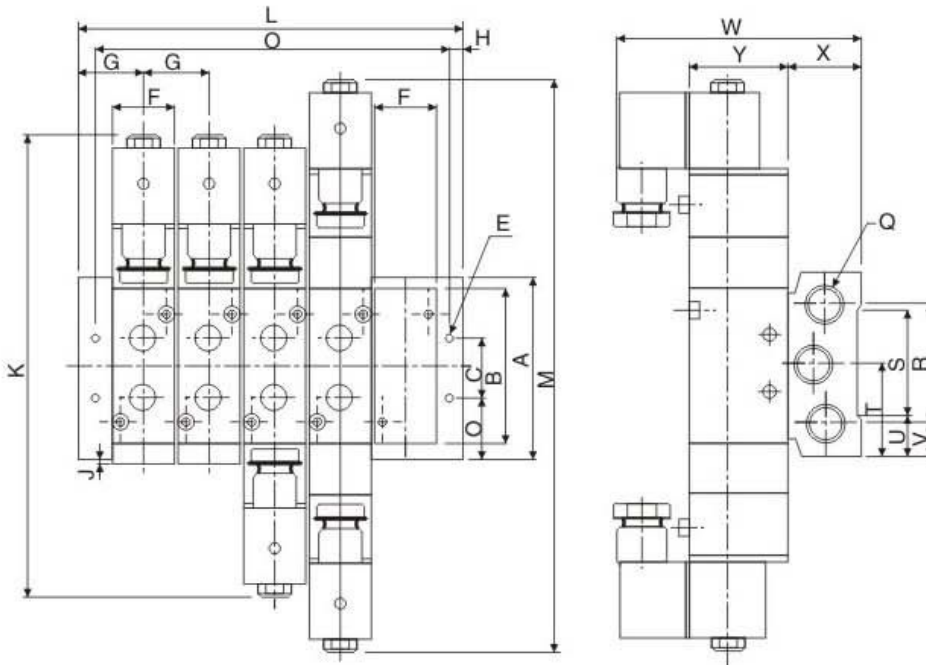
□ F

Model

100M: 100 Series manifold  
200M: 200 Series manifold  
300M: 300 Series manifold

Number of stations

100M: 1-12 stations  
200M: 1-15 stations  
300M: 1-20 stations  
400M: 1-20 stations



Specification

Model Item	A	B	C	E	F	G	H	I	J	K	L											
											1F	2F	3F	4F	5F	6F	7F	8F	9F	10F	11F	12F
100M□F	58	43	20	43	18	19	5	10	1	138	38	57	76	95	114	133	152	171	190	209	228	247
200M□F	60	50	21	45	22	23	6	11.5	2	115	46	69	92	115	138	161	184	207	230	253	276	299
300M□F	75	60	26	45	27	28	6	14.5	3	225	54	82	110	135	166	194	222	250	278	306	334	362
400M□F	100	95	32	55	34	35	7	18	3	224	63	98	133	168	203	-	-	-	-	-	-	-

Model Item	M	P												Q	R	S	T	U	V	W	X	Y
		1F	2F	3F	4F	5F	6F	7F	8F	9F	10F	11F	12F									
100M□F	153	28	47	66	85	104	123	142	161	180	199	218	237	G1/8	40	22	29	9	9	79.5	25	27
200M□F	167	34	57	80	103	126	149	172	195	218	241	264	287	G1/4	42	40	30	10	9	94	25	35
300M□F	185	42	70	98	126	154	182	210	238	266	294	322	350	G3/8	52	53	32.5	11	12	101	31	40
400M□F	224	449	84	119	154	189	-	-	-	-	-	-	-	G1/2	64	64	50	-	19	116	42	50